

**evoke**<sup>®</sup>  
flooring that can take it

---

**INSTALLATION GUIDE**

For Surge Floors

WCC 8mm Coastal & 12mm Dunes | 1 Clic 2go Pure Drop Lock



# Contents

- PRODUCT USE . . . . . 3**
- RESPONSIBILITIES . . . . . 4**
- SITE PREPARATION . . . . . 4**
  - Newly Constructed Home . . . . . 4
  - Existing Home . . . . . 4
  - Radiant Heat Systems . . . . . 6
  - Climate Control . . . . . 6
  - Sub-floor Preparations . . . . . 6
  - Vapor Barrier & Underlay . . . . . 7
- INSTALLATION . . . . . 8**
  - After Installation . . . . . 10

## INSTALLATION METHOD | 1 CLIC 2GO PURE DROP LOCK

### SURGE COASTAL & DUNES COLLECTIONS

**PLEASE READ THIS ENTIRE DOCUMENT PRIOR TO COMMENCING INSTALLATION TO ENSURE COMPLIANCE WITH ALL REQUIRED PROCEDURES, PAYING SPECIAL ATTENTION TO THE SECTION ENTITLED “COMPLETING THE INSTALLATION”**

#### PRODUCT USE

Evoke ‘Surge’ wood composite core (WCC) flooring is for indoor use in residential and selected commercial applications.

In residential applications, Surge may be used in all areas including ‘wet rooms’ (bathroom, kitchen, laundry). When installing in wet rooms, follow the special instructions in the “Completing the Installation” section. Surge should not be installed in saunas, shower stalls or any area where it will be exposed to dampness or high humidity on a regular basis.

In commercial applications, Surge may be used in locations where moderate to heavy customer traffic is expected, including but not limited to offices, retail stores and restaurants, medical/dental clinics, salons, etc. Surge should not be installed in locations where there is frequent exposure to spilled liquids (bars, public washrooms, etc.) or heavy rolling loads (warehouses, hospitals, big box stores, etc.)

#### MOISTURE PROTECTION

**Evoke Surge floors are guaranteed to withstand exposure to surface moisture and liquid for 24 hours or more without damage to the floor and have been further tested to withstand repeated exposure for 100+ hours. Please visit the Evoke website for further explanation of the North American Laminate Flooring Association testing that was performed. However, it is recommended that any spilled food, drink or other liquid be cleaned up as quickly as possible. Place trays or mats under any standing containers like plant pots or water dishes. Installations in ‘wet rooms’ (bathroom, kitchen, laundry) must have waterproof silicone caulking applied wherever the floor meets a vertical object (molding, baseboard, cabinetry) or sits under a standing fixture (sink, toilet, doorframe) as described in the installation instructions. The floor is not warranted against excessive exposure to liquid such as flooding, excessive mopping, burst pipes, etc. The floor is not warranted against any exposure to moisture originating in the substrate.**

#### APPROVED COMMERCIAL APPLICATIONS / LIGHT ROLLING LOAD SPECIAL INSTRUCTIONS

**To avoid gapping between planks, or separation of seams, in installations in approved commercial applications or spaces where the flooring will be subjected to light rolling loads (chair casters, small retail rolling displays, motorized wheelchairs/scooters etc.), we require a Tongue & Groove adhesive (similar to Deccobond 18 T&G) to be used in the END JOINTS of each plank. Long side joints do NOT require adhesive, unless the joint has been modified or removed completely (installing under doorways etc.). To subject our flooring to light loads without the use of the additional adhesive in the end joint, or in the modified/removed side joints, may void the product warranty.**

Evoke Surge is designed for easy installation using the ‘drop & lock’ method. Evoke Surge flooring can be installed:

- in rooms on, above or below ground level
- over plywood, OSB or concrete subfloors
- directly over most existing hard surface flooring
- over compatible radiant heating systems

An approved underlay is required for all Surge installations, and in certain circumstances a vapor barrier may also be required.

## **INSTALLER'S / OWNER'S RESPONSIBILITY**

It is the responsibility of the installer and/or customer to ensure that the Evoke product meets or exceeds their expectations for visual appearance and manufacturing quality.

The installer is the supervising tradesperson performing or overseeing the installation. The customer is the original purchaser of the flooring from the Evoke dealer.

Evoke flooring is manufactured to highest standards of product quality, but occasional manufacturing defects may occur in the product. It is the sole and joint responsibility of the installer and customer to conduct a quality inspection of all pieces Evoke flooring before installation. Any pieces of flooring that appear to contain a manufacturing defect should not be installed. Flooring that has been installed will be deemed to have been inspected and accepted by the installer and customer, even if the customer is not present at the time of installation. If the product appears to have an unacceptable number of defects (in excess of 5% of the total quantity), please contact your Evoke dealer.

It is the sole responsibility of the flooring installer to ensure that the job site, subfloor and installation and materials meet or exceed all applicable industry standards. Evoke accepts no responsibility for problems arising from incorrect or improper site preparation or installation procedures.

## **SITE PREPARATION**

### **INSTALLATION IN NEWLY-CONSTRUCTED HOME**

Installation of flooring is one of the last jobs of a new home construction. Prior to installing Evoke Surge flooring, ensure that:

- the building is completely enclosed with all outside doors and windows in place and securable, including a door from an attached garage to house interior
- all concrete, masonry, plastering, drywall, texturing, painting and other wet work is complete and thoroughly cured and dry
- all floor-mounted cabinetry (including kitchen islands, bathroom vanities, etc.) is installed and secured.
- Do not install floor-mounted cabinetry directly on top of the flooring as this may restrict seasonal movement and lead to gapping/buckling
- basements and crawlspaces are dry. Crawlspaces must have no standing water; crawlspaces must also have a vapor barrier and adequate ventilation in accordance with local building codes.
- gutters and downspouts are in place, directing water away from the building
- HVAC systems are fully operational, enabling heat and humidity levels to be controlled and maintained throughout the home
- subfloor is properly prepared for installation
- if installing over radiant heat, ensure that the system is in full working order and has been fully tested and running for a minimum of two weeks prior to install

### **INSTALLATION IN EXISTING HOME (RENOVATION)**

Installation in an existing home must meet the same conditions as a new home. If part of a larger remodeling project, ensure that all wet work (painting, wallpapering, texturing, etc.) is completed and thoroughly dry before commencing flooring installation. In addition:

- remove all furniture, artwork and other valuables from installation area
- remove baseboards and moldings
- undercut door casings (use a piece of the flooring as a depth gauge)
- remove existing flooring, if necessary
- all floor mounted cabinetry (including kitchen islands, bathroom vanities, etc.) is installed and secured

Truss/joist spacing (Measured on center)	Minimum acceptable thickness 4 x 8 sheets
16" (406mm) or less	5/8" (19/32", 15.1mm) CD Exposure 1 Plywood -or- 3/4" (23/32") Exposure 1 OSB
More than 16" (406mm) up to 19.2" (488mm)	3/4" (23/32", 18.3mm) T&G CD Exposure 1 Plywood, glued and mechanically fastened -or- 3/4" (23/32", 18.3mm) Exposure 1 OSB, glued and mechanically fastened
More than 19.2" (488mm) to a max. of 24" (610mm)	7/8" T&G CD Exposure 1 Plywood, glued and mechanically fastened -or- 7/8" Exposure 1 OSB, glued and mechanically fastened -or- two layers of subflooring

## RADIANT HEAT SYSTEMS

Evoke Surge floors are suitable for installation over compatible in-floor radiant heat systems. It is the homeowner's responsibility to determine if the radiant heat system being considered is compatible for use under the floor being installed. We recommend that the homeowner contact the system manufacturer and get written confirmation that the system is approved for use with wood, wood-based or laminate flooring and under what operating conditions. If you are unable to obtain this information, please contact the Evoke Technical Services Team at [techserv@metrofloors.com](mailto:techserv@metrofloors.com).

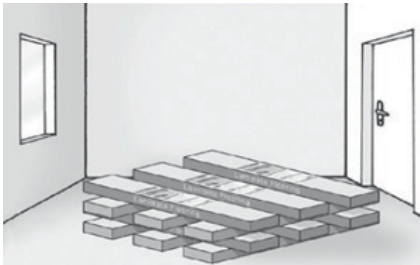
Prior to installation, ensure that the radiant heat system is in full working order and has been fully tested and running for a minimum of two weeks. The system should be turned off for 24 hours prior to flooring installation in the install zone.

After installation, Evoke recommends that the surface temperature of the floor never be allowed to exceed 82°F (28°C) and that changes in temperature be moderated in increments of 5°F (2°C) to avoid 'shocking' the floor.

Where possible, we recommend the use of a data logger to monitor and record temperature and humidity conditions; this provides a record of the environmental conditions and may also help take preventive measures where conditions are outside of recommended levels.

## CLIMATE CONTROL

Evoke Surge is made from wood and wood-based products, and like any wood product it will react to changes in the environment. Please pay special attention to instructions regarding on site acclimation, expansion space and temperature and humidity levels.



Conditions at the job site must be maintained with the temperature between 60-80°F (15 - 26°C) and humidity at 30- 50% before, during and after the installation to ensure proper performance of the floor.

Flooring material should not be delivered to job site until these conditions have been met and maintained for a minimum of one week prior to installation.

When temperature and humidity have met the conditions detailed above, material may be delivered to the job site. Do not deliver flooring to jobsite if climate conditions have not been met and maintained as described above - otherwise damage to product may result. If stacking the boxes, cross-stack to ensure good air flow between layers. Do not open the boxes; leave closed until ready to commence the installation, and then open only as needed.

## SUBFLOOR PREPARATION

The installer and customer are jointly and solely responsible for ensuring that the subfloor is suitable for the flooring application and properly prepared for installation.

All subfloors must be clean, dry, structurally sound and flat to within 1/8" in 8'.

All subfloors must be tested for moisture content, and the moisture content of both subfloor and flooring must be within allowable limits before commencing installation.

**Plywood or OSB subfloors:** the minimum acceptable thickness of the subflooring will be determined by the truss/joist spacing.

In addition to meeting or exceeding the minimum acceptable thickness requirement, the subfloor must be secure to the joists, and free of squeaks and protruding fasteners. Subfloor moisture content must not exceed 12%.

**Concrete subfloors** must be fully cured (minimum 30 days) and have been tested for moisture content using the ASTM F2170 – RH Probe Test standard; the maximum allowable limit of relative humidity within the slab is 75%.

If these conditions cannot be met, further curing or a moisture control system (vapor retarder or membrane) will be required.

**Gypsum-based concrete (i.e. Gypcrete)** subfloors must meet concrete manufacturer's recommendations for dry, cured conditions.

## VAPOR BARRIER & UNDERLAY

All installations of Evoke Surge flooring require the use of an approved underlay.

When installing Evoke Surge over a concrete subfloor, a class 1 perm-rated vapor barrier must also be installed to prevent migration of moisture from the concrete into the flooring assembly. Evoke recommends the use of Pro Series Komfort+ 30 or Komfort+ 50 for this application, as each have built-in Class 1 perm-rated vapor barrier.

If Evoke Surge is being installed on a plywood or OSB subfloor which has itself been installed over a concrete slab to add height to the assembly, a vapor barrier must still be used between the plywood/OSB subfloor and the slab.

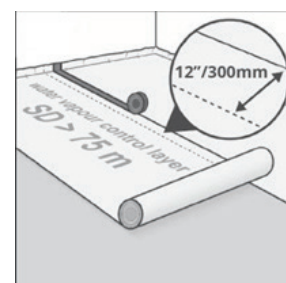
Where no vapor barrier is required, Evoke recommends Komfort+ 17 underlayment or an approved underlayment designed for use under floating floors.

**IMPORTANT NOTE: This underlay should be rigid and 2mm or less in thickness. For more information see the ProSeries Komfort+ technical documents, or contact the Metropolitan Technical Services team.**

To add additional height to the flooring, a rigid type underlayment such as plywood or OSB is required. For further information regarding appropriate underlays, please email [techserv@metrofloors.com](mailto:techserv@metrofloors.com)

To install a class 1 vapor barrier for use in conjunction with an approved 3-in-1 underlay that does not have a Class 1 perm rating, one can use 6 mil construction grade polyethylene film installed in the following manner:

- Lay a single layer of poly over the entire subfloor.
- Allow a 12" (300mm) inch overlap between seams and seal the seams with duct tape along their entire length.
- Leave an excess of 4 inches of material extending up the wall at all outer edges and hold in place with blue or painter's masking tape. (This excess will be trimmed away later.)
- Install underlay over the entire subfloor surface. The seams should butt and not overlap. When installing Evoke Surge flooring over a plywood or OSB subfloor which is above a crawlspace, a 3-in-1 underlayment is suitable; a Class 1 vapor barrier is not required, provided that:
  - Crawl space should be a minimum of 18" (450mm) from ground to underside of joists.
  - Crawl space earth (or thin concrete slab) should be covered 100 percent by a vapor retarder of black polyethylene (minimum 6 mil) or any recommended puncture-resistant membrane, such as Class C, meeting ASTM D1745.
  - Where a proper ground covering is in place and when venting is required by local building codes, the crawl space should have perimeter venting equal to a minimum of 1.5 square feet per 100 square feet of crawl space square footage.
  - For crawl spaces without ventilation openings, vapor retarder joints must overlap a minimum of 6 inches and be sealed or taped. The vapor retarder should also extend at least 6 inches up the stem wall and be attached and sealed to the stem wall. Continuously operated mechanical exhaust and perimeter wall insulation, or conditioned air supply and insulation must be provided.



**Evolve assumes no responsibility for any floor installation failures associated with unaddressed site conditions including but not limited to: vapor transmission, moisture permeation, improper pH levels, contaminated concrete, or damaged subfloors. Moisture levels recorded at time of installation will not necessarily remain constant and steps should be taken to protect substrate from ongoing exposure to moisture by installing proper vapor retarder and channeling water away from the building.**

## INSTALLATION

### STARTING WALL

When possible orient the installation so the boards are parallel to incoming sunlight and select your starting wall. Check it for straightness. If it is not straight, you may need to trim the edge of the first row of floorboards to match the shape of the wall. Calculate how many rows of flooring will be required for the job. You will probably have to rip down (cut lengthwise) the final row of boards to fit. The final row must be at least half a board width wide to ensure the integrity of the joint. If it will not be half a board width, then rip down your starting row enough to make up the difference. Please note that whenever the widths of the boards are modified, the locking mechanism of the end-joint may become compromised. It is required that the end-joints of these rows be glued together using a non-crystallizing wood flooring glue (i.e. Deccobond). Do not glue boards directly to the subfloor.

When installing the subsequent rows, create a random appearance by using boards of different lengths to start each row (often the off-cut from the last board in the previous row is a suitable starter for the next). Make sure the minimum length of the starting boards in each row is 12" (300mm) and the end joints are staggered by minimum two board-widths.

### EXPANSION SPACE

As a wood-based product, Evolve Surge flooring will expand and contract with changes in temperature. To allow for this, leave a minimum of 3/8" (10mm) expansion space around the entire perimeter of the floor between the flooring and the walls. Also leave expansion space where the flooring will meet any vertical obstacle, such as stairs, pipes, tiles, and cabinets etc. Pay particular attention that the proper expansion space is provided in and around doorways. Under-cutting the door jambs may be necessary to achieve the required spacing. Have a supply of 3/8" (10mm) spacers on hand during installation.

When using base trims thinner than 3/8" the sheetrock could be cut just above the height of the finished floor which would allow an additional 1/2" to 5/8" expansion depending on the sheetrock thickness.

Unlike traditional laminate flooring, Evolve Surge Flooring requires no additional expansion space or T-molding in rooms up to 60 ft. (18m) in length or width. In addition, no expansion space or T-molding is required in doorways and openings 32" (800mm) or wider provided the following conditions are met:

- climate can be maintained with the temperature between 60-80°F (15 - 26°C) and humidity at 30-50% RH before, during, and after the installation
- The 3/8" (10mm) expansion space as outlined above is provided around all vertical obstructions.

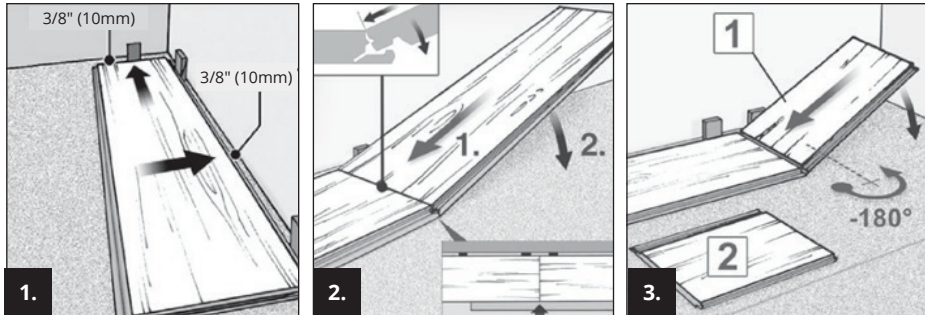
In the event the above conditions cannot be met, additional expansion space and/or T-molding are recommended to provide the floor with space to move.

**Please note that Surge products utilize the 1 CLIC 2GO PURE DROP LOCK system which requires the use of a tap-block and a dead-blow/sand filled hammer ensure proper end-joint seating, and avoid damage avoid damage when engaging the end-joints.**



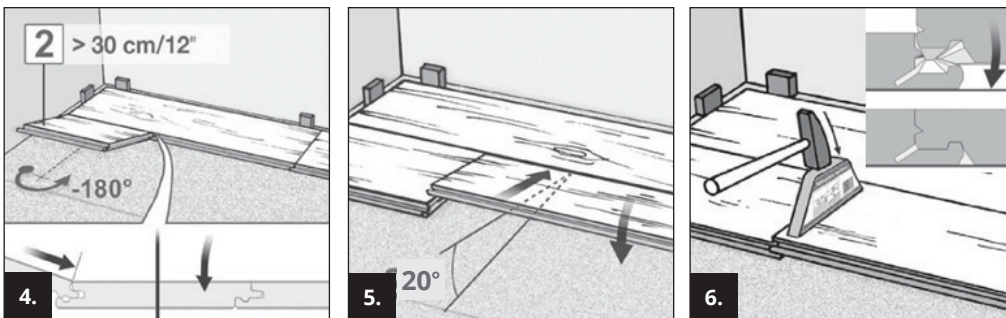
Open 1 or 2 packages of flooring and inspect boards to ensure there are no manufacturing defects before proceeding with the installation. Continue to inspect as you go—remember, boards that have been installed will be deemed to have been inspected and accepted by the customer.

1. Set the first board in place with the tongue facing the wall. Insert spacers.
2. Install the second board by angling the end joint into the first board and lay the new board flat to engage the joint. Repeat for subsequent boards in the row. Use of a tap-block and dead-bow may be required to seat the end-joint fully
3. At the end of the row, cut a board to fit leaving expansion space. Use the off-cut to begin the next row.

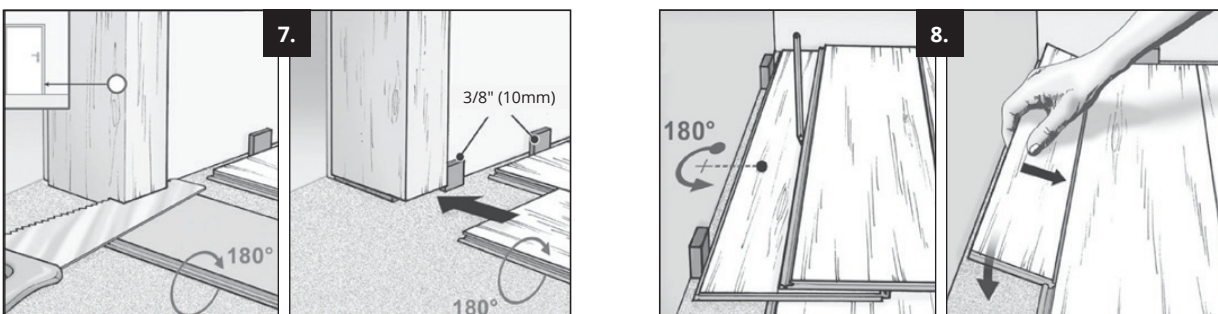


4. Begin the second row by angling the first board, insert the tongue into the groove of the first row and lay the board flat.
5. Hold the next board at a 20° angle to the previous row, align the end joint, and engage the long side joint. Lay the board down; it will not sit flat.
6. Use a dead-blow/sand-filled hammer and a tap-block to engage the end-joint. Do not use a hammer directly on the product as damage to the floor and the joint may result. Repeat for all subsequent rows.

**NOTE: Do not use a rubber mallet**



7. Undercut door jambs using a piece of flooring as a depth gauge so flooring can be installed under the millwork. Wherever the flooring meets a vertical obstruction (stairs, cabinetry) allow expansion space between the floor and the vertical surface.
8. For the final row, rip a series of boards to the required width and install as illustrated. The use of T&G adhesive is required whenever boards are modified.



### COMPLETING THE INSTALLATION

To complete the installation, install moldings, trim and transitions as needed. Remember, all moldings must be affixed either to the subfloor or to the wall – never to the flooring itself.

**FOR WET ROOM INSTALLATIONS:** After installing the moldings, apply a thin bead of 100% water-proof silicone caulking wherever the flooring surface meets a vertical fixture or object (i.e. cabinets, moldings, baseboards etc.). Likewise, where the flooring has been installed under a standing fixture like a toilet, pedestal sink or doorframe, seal the base with a bead of silicone. This measure will help prevent any spilled liquid making its way to the underside of the laminate planks.

If T-molds were installed to provide additional expansion points in the floor, these too must be sealed with a bead of silicone.

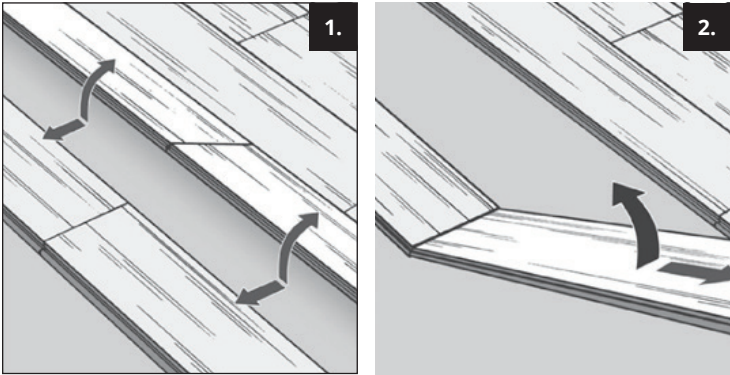


Before you move furniture onto the floor, take a moment to protect your new floor by putting felt pads on all furniture and accessories. To learn more about care and maintenance of your Evoke floor, please see the product warranty.

After installing the floor over a radiant heating system bring the temperature of the system up gradually, in 5°F (2°C) increments per day. Never allow the surface temperature of the floor to exceed 82°F (28°C) and avoid dramatic temperature changes; always adjust the system gradually in 5°F (2°C) increments per day. Where possible, we recommend the use of a data logger to monitor and record temperature and humidity conditions

### TO REMOVE EVOKE SURGE FLOORING

First, remove all moldings and baseboards. Begin removing the floor at the last row that was installed. Using pry-bars and with helpers, lift the entire last row up by its outside edge to disengage the long side tongue and groove joint as shown in **Step 1**. Then angle the boards out at the ends as shown in **Step 2**.



### CLEANING & MAINTENANCE

Please refer to the EVOKE SURGE Warranty & Maintenance document available online at [www.evokeflooring.com](http://www.evokeflooring.com) for important information on how to properly maintain your floor, and the approved method for cleaning.